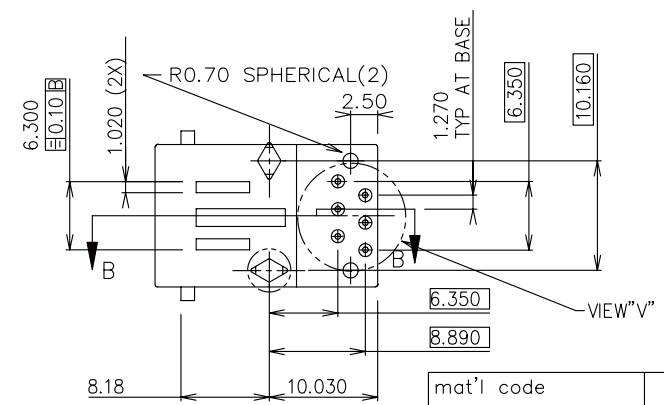
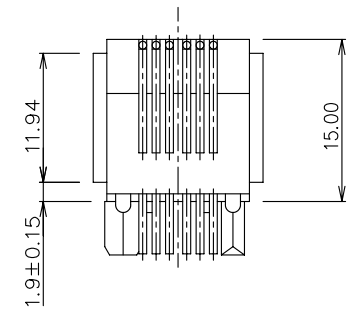
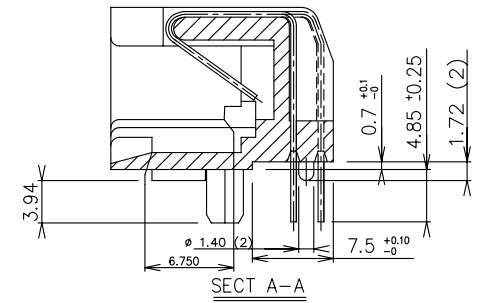
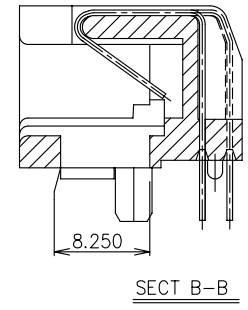
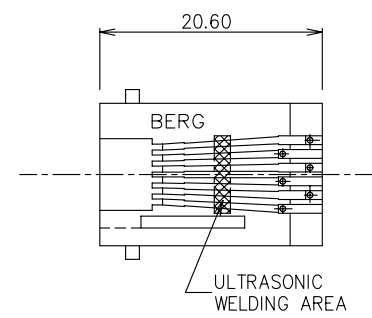
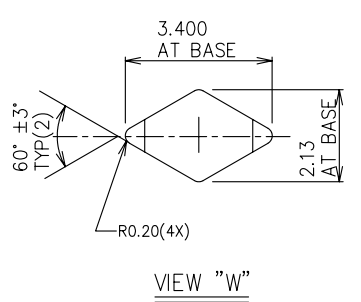
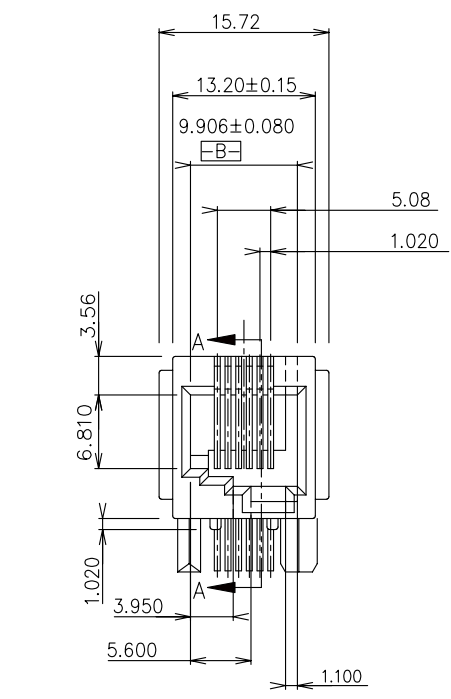


Tous droits strictement réservés. Reproduction ou communication a des tiers int sous quelque forme que ce soit, sans autorisation écrite du propriétaire. Property of c. BERG ELECTRONICS. Droits de reproduction BERG ELECTRONICS by

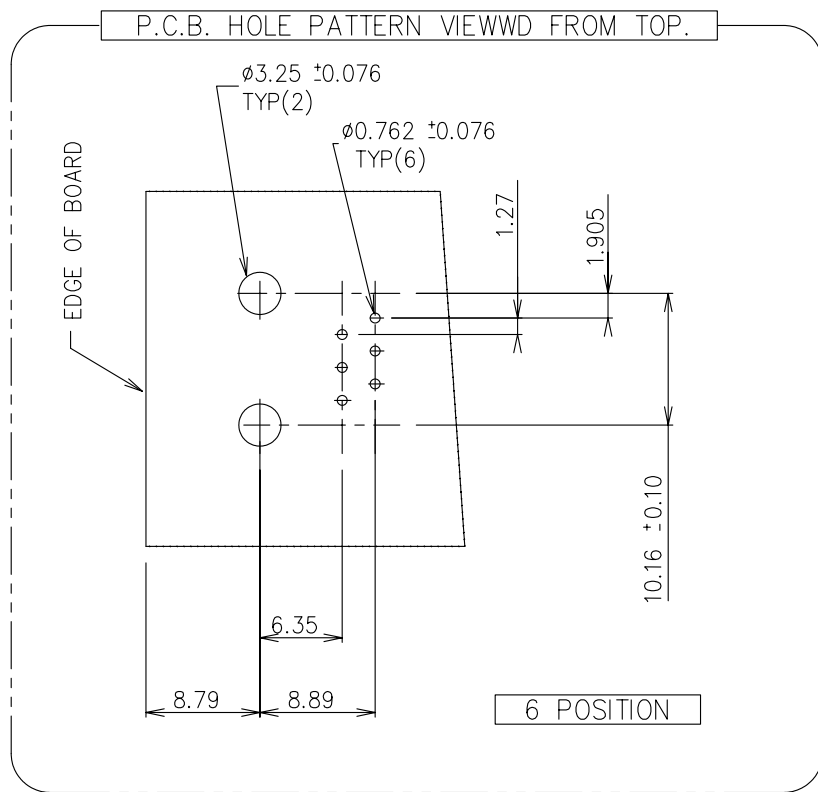
FCI

All rights strictly reserved. Reproduction or issue to third parties in any for whatever is not permitted without written authority from the proprietor. Property of c. BERG ELECTRONICS. Copyright BERG ELECTRONICS by



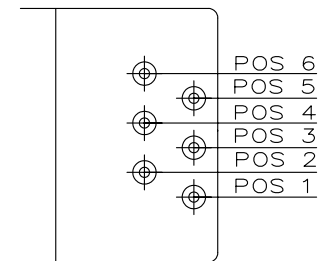
| | | | | | | | | | |
|------------|----------|-----|-----------|--------------------------------------|-------------|---------------|--|------|--|
| mat'l code | | | | tolerance unless otherwise specified | | CUSTOMER COPY | FCI www.fciconnect.com | | |
| rev. | ecn no. | dr | date | linear | .0 ± 0.25 | projection | title SNAP-IN MODULAR JACK ASS'Y 6-POS OFF-SET OPENING WITH SPECIAL GOLD WIRE POSI. | | |
| A | RELEASED | | ECRT40014 | | .00 ± 0.13 | | | | |
| B | H40194 | | 031894 | angles | .000 ± 0.05 | unit mm/inch | product family | | |
| C | T70043 | C L | 01/16/97 | | ± 2° | | size | code | |
| D | T03-0443 | WL | 10/06/03 | dr | KCHOU | 01/26/94 | TWN | | |
| E | N05-0019 | YS | 01/27/05 | enr | TONY CHIEN | 01/26/94 | sheet 1 OF 2 | | |
| | | | | chr | TONY CHIEN | 01/26/94 | | | |
| | | | | appd | JENN TSAO | 01/26/94 | | | |
| sheet | revision | E | E | | | | | | |
| index | sheet | 1 | 2 | | | | | | |

| PRODUCT NUMBER | NUMSER OF POS. | LOADED POSITIONS | CONTACT PLATING |
|------------------|----------------|------------------|-----------------|
| 94729-002/-002LF | 6 | 1,2,3,4,5,6 | 2u"GOLD FLASH |



NOTES:

1. RECOMMENDED P.C.B THICKNESS 1.60 MM
2. HOUSING MAT'L: POLYESTER 30% G.F,
COLOR: GRAY.
3. CONTACTS: PHOS BRONZE ALLOY UNS-C51000,
ø0.460mm ROUND WIRE
PLATING SEE TABLE.
4. THE PRODUCT MEETS EUROPEAN UNION DIRECTIVES AND OTHER
COUNTRY REGULATIONS AS DESCRIBED IN GS-22-008.
5. THE HOUSING WILL WITHSTAND EXPOSURE TO 260°C PEAK
TEMPERATURE FOR 10 SECONDS IN A WAVE SOLDER APPLICATION
WITH A 1.60mm MINIMUM THICK CIRCUIT BOARD.
6. IF LF P/N PACKAGING MEETS GS-14-920 SPECIFICATION.



POSITION NUMBER INDICATED (VIEW"V")

| | | | | | | | | | | |
|------------|----------|----|------|--------------------------------------|-------------|---------------|----------|----------------------------------|---------|------|
| mat'l code | | | | tolerance unless otherwise specified | | CUSTOMER COPY | | www.fciconnect.com | | |
| rev. | ecn no. | dr | date | linear | .0 ± 0.25 | projection | | title SNAP-IN MODULAR JACK ASS'Y | | |
| E | | | | | .00 ± 0.13 | | | 6-POS OFF-SET OPENING WITH | | code |
| | | | | | .000 ± 0.05 | | | SPECIAL GOLD WIRE POSI. | | TWN |
| | | | | angles | ± 2' | | | product family | code | |
| | | | | dr | KCHOU | 01/26/94 | unit | size | dwg no. | |
| | | | | enr | TONY CHIEN | 01/26/94 | rmm/inch | A3 | 94729 | |
| | | | | chr | TONY CHIEN | 01/26/94 | scale | | sheet | |
| | | | | appd | JENN TSAO | 01/26/94 | | | 2 OF | |
| sheet | revision | | | | | | | | | |
| index | sheet | | | | | | | | | |

Tous droits strictement reserves. Reproduction ou communication a des tiers int sous quelque forme que ce soit sans autorisation écrite du propriétaire. Propriete de c BERG ELECTRONICS. Droits de reproduction BERG ELECTRONICS by

All rights strictly reserved. Reproduction or issue to third parties, in any for whatever is not permitted without written authority from the proprietor. Property of c BERG ELECTRONICS. Copyright BERG ELECTRONICS by

